



2701 4th AVE SW, Willmar, MN 56201 PHONE: 320-235-2288 FAX: 320-235-2297
www.northernfactory.com

FAN RELAY HARNESS KIT: Z40080

CONTENTS:

Relay Harness with relay and dual fan connectors
Fuse Holder with installed 30 ampere fuse
Instruction sheet

Northern Fan Relay can be installed for either a dual fan or single fan when relay protection is desirable to protect the OE wiring and electronics.

Recommended for any fan application (up to 40 AMP MAX combined)

Wiring:

Fuse holder: Connects to + power supply and should be located within 12" of the battery. Please note that a 30 amp fuse is included but in single fan applications use a 15A or 20A fuse per the current draw of the particular fan being installed.

Blue wire: Connect to the + side battery fuse holder.
NOTE: use 12 Gauge wire from fuse holder.

Green wires: Connect to the chassis ground by crimping a 12 gauge lead to the yellow butt connector, seal the shrink tube case with hot air.

Black wires: Connect one black wire to ignition switch + 12 volt DC source. Connect the other one to your remote switch or thermostat. NOTE: the two leads are interchangeable and it does not matter which black lead you choose for the 12 volt +

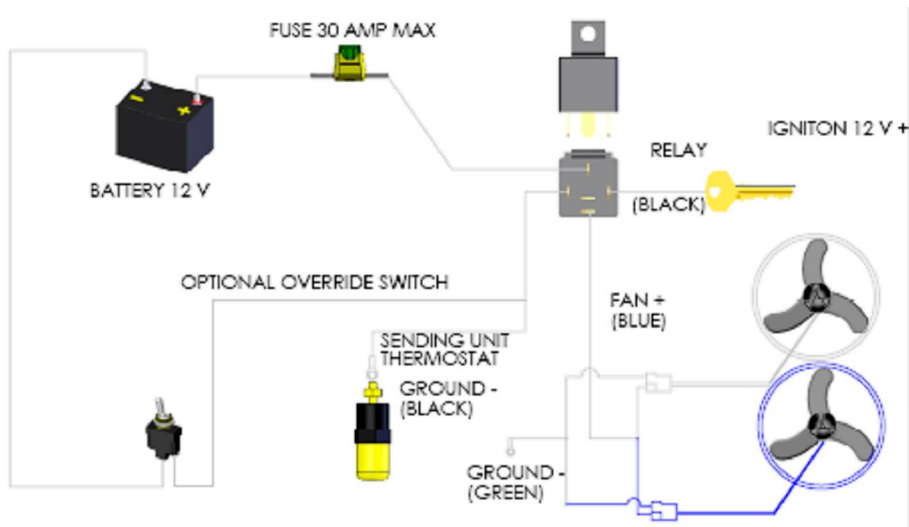
Fan terminals: Connect to the fan(s) leads. If the fan uses a different type plug terminal, clip the terminals (on the fan) and replace with 1/4" flat blade male terminals, and insert into the harness noting the + and - locations on the wire harness connectors.

Fan Terminal Harness Diagram:



NOTE: For Single Fan applications there will be one extra fan plug that is not used.

Dual Fan Connection Diagram:



Dual Fan with Optional Adjustable Temp Sensor #BM346932:

